

> Features:

2 pole 10A; 4 pole 5A

With LED integrated in relay

With lockable test button and inspection window

Identification of coils through test button color (AC red / DC blue)

Gold plated contacts optional

Conformity with RoHS directive



Sockets selection table



PKB08-E

PKB14-E

PKC08-E

PKC14-E

PYF08-ST

PYF14-ST

PYF14S-E



Relay

DMY □ - □ □ □

Coil voltage

6-220VDC
6-380VAC

Options

None: Ordinary dust cover, plug-in terminal
S: Seal

Options

LT: LED+test button
LTD: LED+test button+diode (13-,14+)
LTD1: LED+test button+diode(13+,14-)
LT A: LED+test button+gold plated contact
LTD A: LED+test button+diode+gold plated contact

Contact form

2,4(C:changeover)

Series Name



Socket



Relay module

Specification

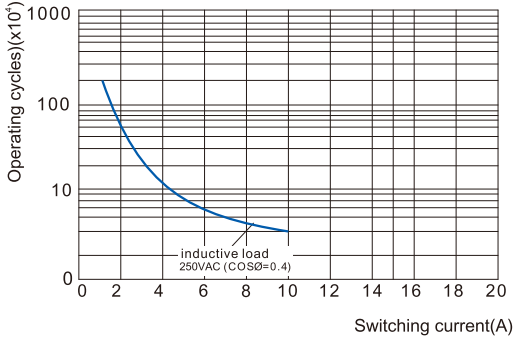
		2C	4C
Contact form		2C	4C
Rated load	Resistive (AC-1)	10A/250VAC,30VDC	5A/250VAC,30VDC
	Motor (AC-15)	1/6HP,240VAC	
Contact	Operating power(Resistive)	1250VA,150W	
	Contact resistance(Initial)	≤50mΩ	
	Material	Ag alloy	
	Electrical endurance	≥10 ⁵ cycles(1800 Ops/h)	
	Mechanical endurance	≥10 ⁷ cycles(18000 Ops/h)	
	Pick-up voltage (23°C)	DC: ≤75% Rated voltage, AC: ≤80% Rated voltage	
	Drop-out voltage (23°C)	DC: ≥10% Rated voltage, AC: ≥30% Rated voltage	
	Max.Allowed voltage(25°C)	110% Rated voltage	
	Insulation resistance	≥ 500mΩ(500VDC)	
Coil power consumption	DC(W)	0.9	
	AC(VA)	1.2	
	Operate time(at nominal voltage)	≤20ms	
	Release time(at nominal voltage)	≤20ms	
Initial dielectric strength	Between contacts	1000VAC/1min (Leakage current 1 mA)	
	Between poles	1000VAC/1min (Leakage current 1 mA)	
	Between contact and coil	2000VAC/1min (Leakage current 1 mA)	
	Ambient temperature	-55~+70°C	
	Humidity	35%~85%RH	
	Atmospheric Pressure	86~106KPa	
	Shock resistance	10G(Half a wave of pulses of sine:11ms)	
	Vibration resistance	10~55Hz Dual amplitude:1.5mm	
	Installation mode	Plug-in terminals	
	Weight	Approx. 35g	
Matched relay socket	finder	PKB08-E	PKB14-E
	Schneider	PYF08-ST	PYF14S-E
	OMRON	PYF08S-E	PY14-P
Equivalent Product	finder	55.32	55.34
	Schneider	RXM2AB2	RXM4AB2
	OMRON	MY2-GS	MY4-GS

Coil Specifications (23°C)

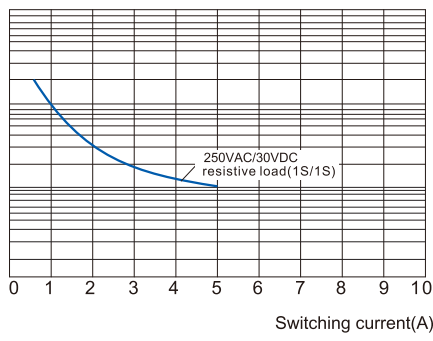
Rated voltage V.DC	6	9	12	24	36	48	110	220		
Coil resistance (±10%)	40	90	160	630	1500	2600	11000	42000		
Rated voltage V.AC	6	12	24	36	48	110	120	230	240	380
Coil resistance (±10%)	11.5	40	160	370	600	3750	3900	15000	18790	42000

Contact Specification

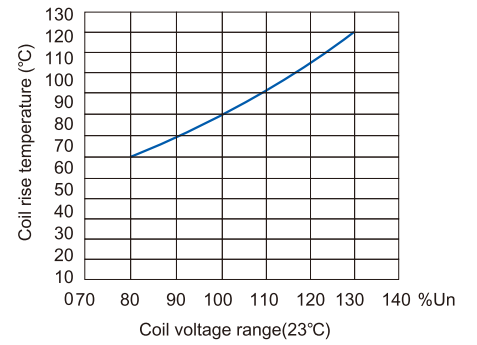
DMY2C Electrical durability contacts



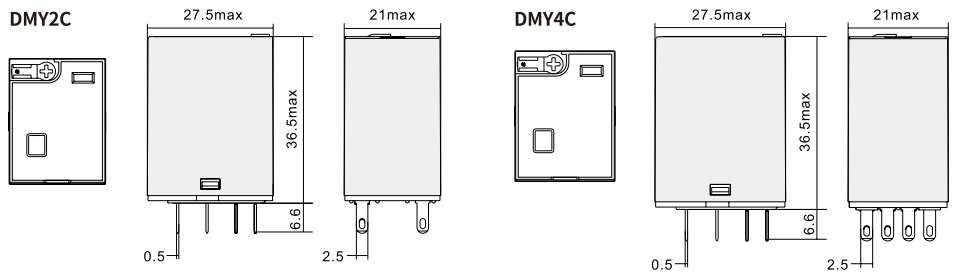
DMY4C Electrical durability contacts



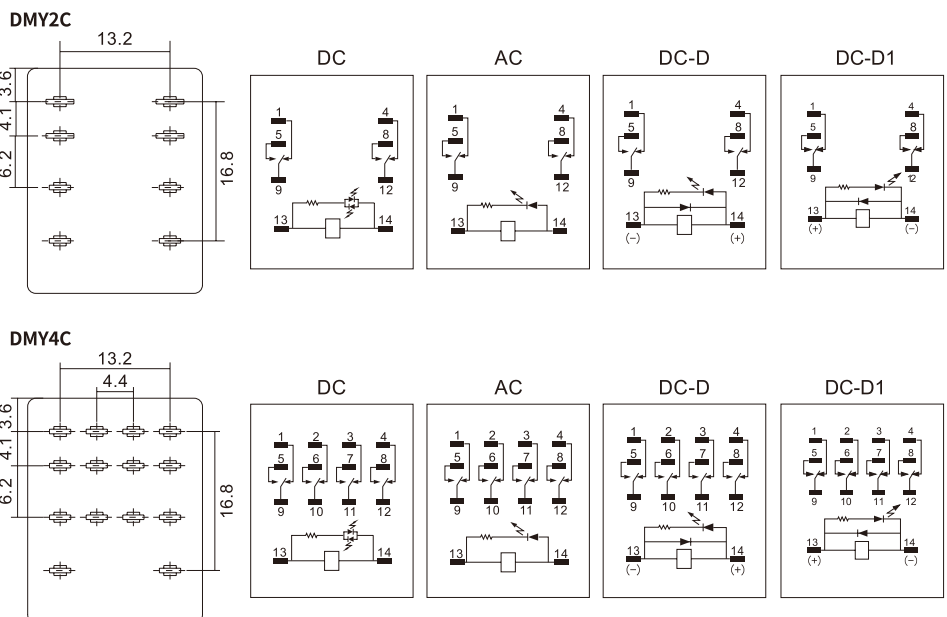
DMY2C&DMY4C Coil temperature



Dimensions (mm)



Wiring Diagrams



Characteristics



PKB08-E



PKB14-E

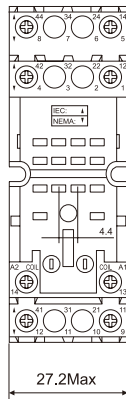


Type		PKB08-E	PKB14-E
Nominal load	Current	A	12
	Voltage	V	300
Dielectric strength	Between coil and contact	V/min	4000
	Between contacts	V/min	2500
Max. tightening torque	Nm	1.0	
Wire size	AWG/mm ²	20-14/0.5-2.5	
Ambient temperature	°C	-40~+85	
Unit weight	g	50	56

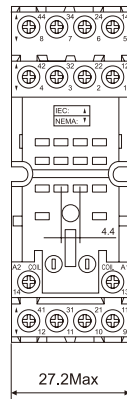
Relay, accessories Selection Table

Socket	Plastic clip	Metal clip	ID tag	Module
PKB08-E				
PKB14-E	PK36F	PK36M	PK4P	AMD

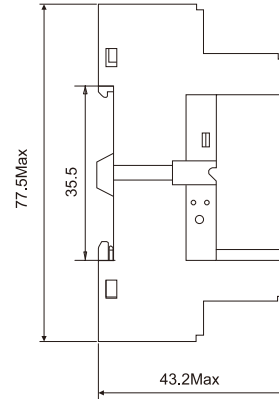
Dimensions (mm)



PKB08-E



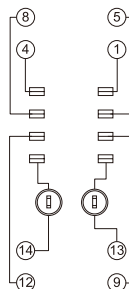
PKB14-E



Connection Diagrams

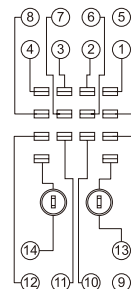
PKB08-E

- ⑬ ⑭ : A1 A2
- ① ④ : NC
- ⑤ ⑧ : NO
- ⑨ ⑫ : COM



PKB14-E

- ⑬ ⑭ : A1 A2
- ① ② ③ ④ : NC
- ⑤ ⑥ ⑦ ⑧ : NO
- ⑨ ⑩ ⑪ ⑫ : COM



Characteristics



PKC08-E



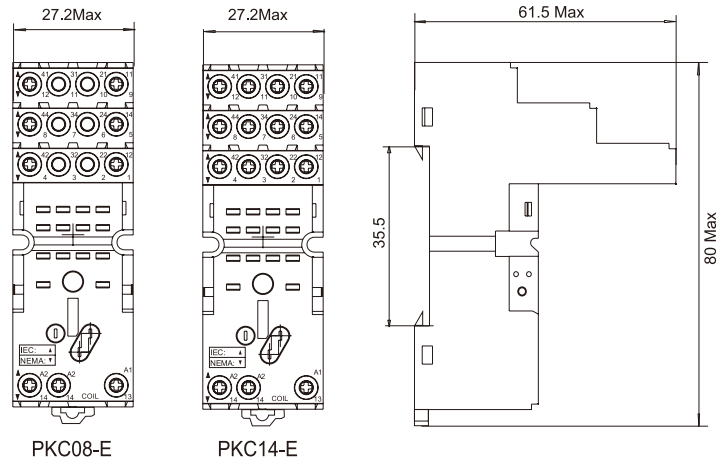
PKC14-E

Type		PKC08-E	PKC14-E
Nominal Current	A	12	10
load Voltage	V	300	
Dielectric strength	Between coil and contact	V/min	4000
	Between contacts	V/min	2500
Max. tightening torque	Nm	1.0	
Wire size	AWG/mm ²	20-14/0.5-2.5	
Ambient temperature	°C	-40~+85	
Unit weight	g	50	62

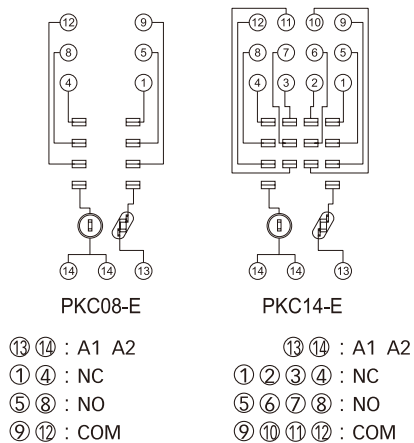
Relay,accessories Selection Table

Socket	Plastic clip	Metal clip	ID tag	Module
PKC08-E				
PKC11-E				
PKC14-E				

Dimensions (mm)



Connection Diagrams



Characteristics



PYF08-ST



PYF14-ST

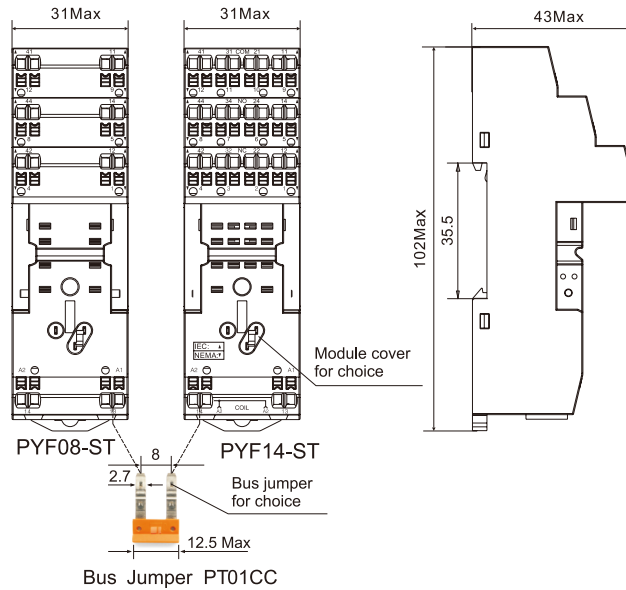


Type		PYF08-ST	PYF14-ST
Nominal load	Current	A	12
	Voltage	V	300
Dielectric strength	Between coil and contact	V/min	4000
	Between contacts	V/min	2500
Max. tightening torque	Nm	-	
Wire size	AWG/mm ²	20-14/0.5-2.5	
Ambient temperature	°C	-40~+85	
Unit weight	g	80	80

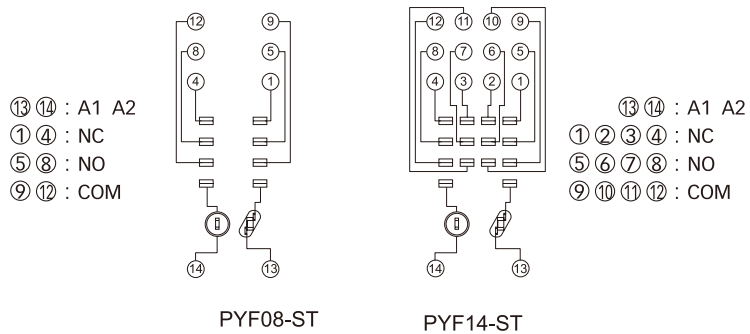
Relay, accessories Selection Table

Socket	Plastic clip	ID tag	Module	Bus Jumper
PYF08-ST				
PYF14-ST	PK36F	PK4P	AMD	PT01CC

Dimensions (mm)

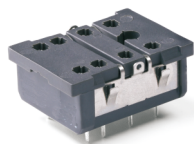


Connection Diagrams



Characteristics

PY08-P




PY14-P

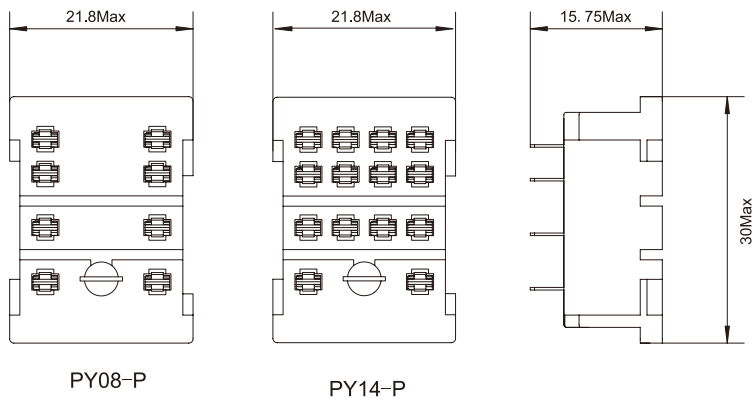


Type		PY08-P	PY14-P
Nominal load	Current	A	10
	Voltage	V	300
Dielectric strength		V/min	2000
Wire size		AWG/mm ²	20-14/0.5-2.5
Ambient temperature		°C	-40~+85
Unit weight		g	7

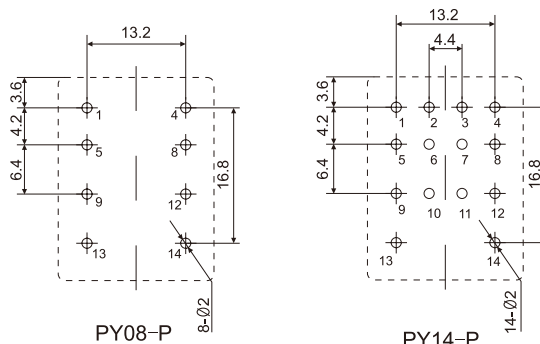
Relay,accessories Selection Table

Socket	Metal clip
PY08-P	 PY36M
PY14-P	

Dimensions (mm)



Connection Diagrams



- ⑬ ⑭ : A1 A2
- ① ④ : NC
- ⑤ ⑧ : NO
- ⑨ ⑫ : COM

- ⑬ ⑭ : A1 A2
- ① ② ③ ④ : NC
- ⑤ ⑥ ⑦ ⑧ : NO
- ⑨ ⑩ ⑪ ⑫ : COM