

Characteristics



PKC08-E



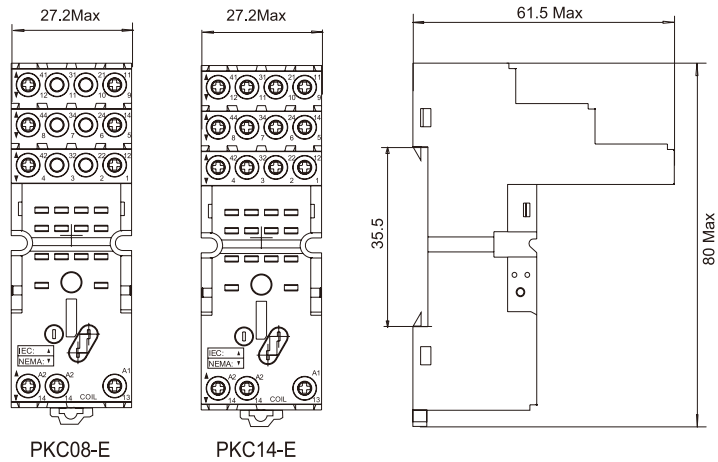
PKC14-E

Type		PKC08-E	PKC14-E
Nominal load	Current	A	12
	Voltage	V	300
Dielectric strength	Between coil and contact	V/min	4000
	Between contacts	V/min	2500
Max. tightening torque	Nm	1.0	
Wire size	AWG/mm ²	20-14/0.5-2.5	
Ambient temperature	°C	-40~+85	
Unit weight	g	50	62

Relay, accessories Selection Table

Socket	Plastic clip	Metal clip	ID tag	Module
PKC08-E				
PKC11-E	PK36F	PK36M	PK4P	AMD
PKC14-E	PK36F	PK36M	PK4P	AMD

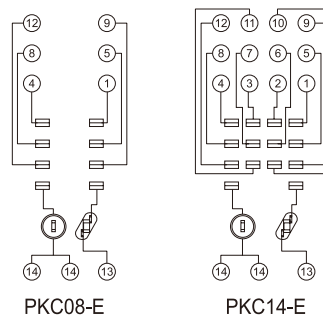
Dimensions (mm)



PKC08-E

PKC14-E

Connection Diagrams



⑬ ⑭ : A1 A2
① ④ : NC
⑤ ⑧ : NO
⑨ ⑫ : COM

⑬ ⑭ : A1 A2
① ② ③ ④ : NC
⑤ ⑥ ⑦ ⑧ : NO
⑨ ⑩ ⑪ ⑫ : COM