

Characteristics



PRT05-ST



PRT08-ST

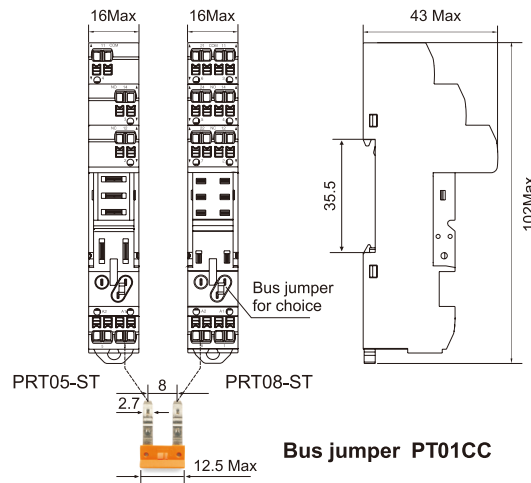


Type		PRT05-ST	PRT08-ST
Nominal load	Current	A	12
	Voltage	V	250
Dielectric strength	Between coil and contact	V/min	4000
	Between contacts	V/min	2500
Max. tightening torque	Nm	-	
Wire size	AWG/mm ²	20-14/0.5-2.5	
Ambient temperature	°C	-40~+85	
Unit weight	g	35	43

Relay, accessories Selection Table

Socket	Plastic clip	ID tag	Module	Bus jumper
PRT05-ST				
PRT08-ST	PR20T	PR2P	AMD	PT01CC

Dimensions (mm)



Connection Diagrams

