

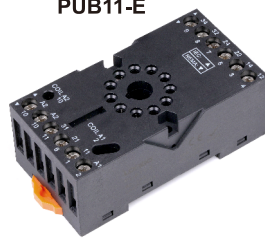
Characteristics



PUB08-E






PUB11-E

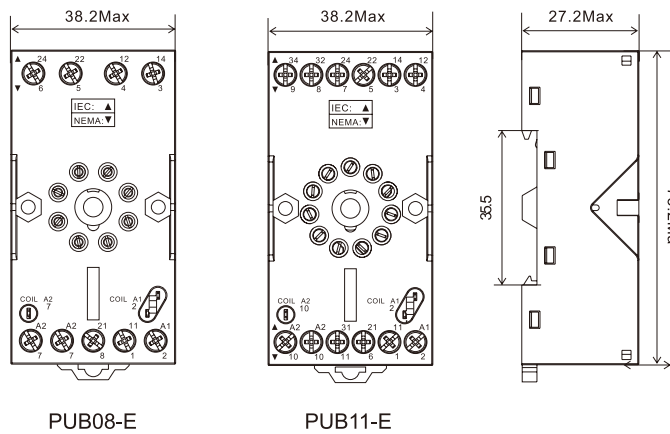


| Type | | PUB08-E | PUB11-E |
|------------------------|---------------------|---------------|---------|
| Nominal load | Current | A | 12 |
| | Voltage | V | 300 |
| Dielectric strength | V/min | 2500 | |
| Max. tightening torque | Nm | 1.0 | |
| Wire size | AWG/mm ² | 20-14/0.5-2.5 | |
| Ambient temperature | °C | -40~+85 | |
| Unit weight | g | 50 | 55 |

Relay,accessories Selection Table

| Socket | Metal clip | ID tag | Module |
|---------|--|---|---|
| PUB08-E |  |  |  |
| PUB11-E | PU60M | PU3P | BMD |

Dimensions (mm)



Connection Diagrams

